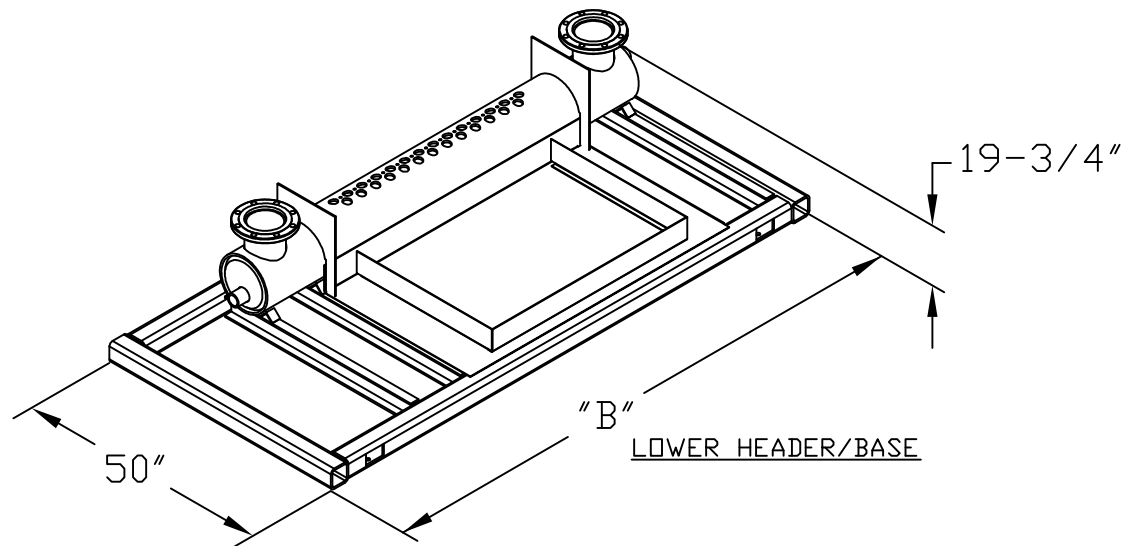
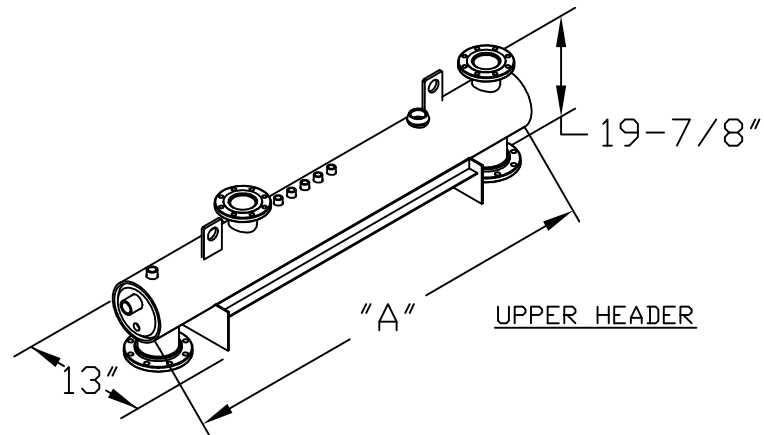
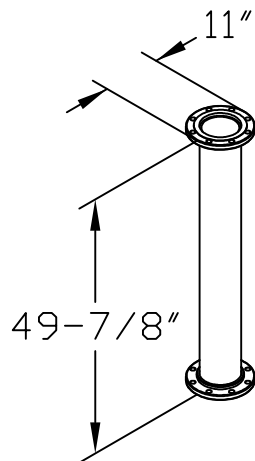


DOWNCOMER
TYPICAL QTY.(2)
118 lbs./ea.



SERIES	RV250	RV300	RV350	RV400	RV450	RV500	RV550	RV600	RV700	RV800
"A"	93-1/2"	106-3/8"	116"	128-7/8"	138-5/8"	148-1/4"	161-1/8"	170-3/4"	193-1/4"	215-3/4"
"B"	121"	130-5/8"	143-1/2"	153-1/4"	162-7/8"	175-3/4"	185-3/8"	214-5/8"	237-1/8"	248-3/8"
UPPER HEADER WT. (lbs.)	640	710	750	830	880	930	990	1040	1150	1260
LOWER HEADER/BASE WT. (lbs.)	1020	1120	1190	1330	1400	1470	1570	1640	1890	2020

MODEL	EB75	EB100	EB125	EB150	EB175	EB200	EB240
VESSEL	RV250	RV350	RV400	RV400	RV600	RV600	RV800

REVISION #0	
APPROVED BY	DATE
INITIAL	
ENGINEERING	
MANAGER	
REVISED BY	



BRYAN STEAM
83 North Chili Avenue Peru, IN 46970

DWG. TITLE:				
RV/EB WATER KNOCKDOWN DIMENSIONS				
DRAWN BY:	DATE:	SCALE:	DISK:	DWG. NO.:
RWJ	8/3/16	NONE	FS	SK2218